

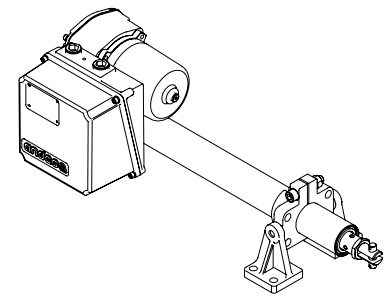
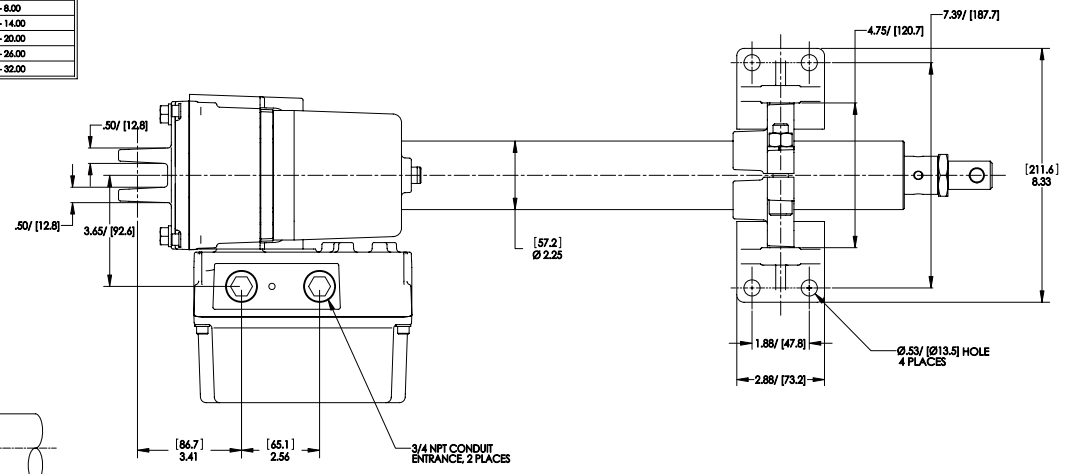
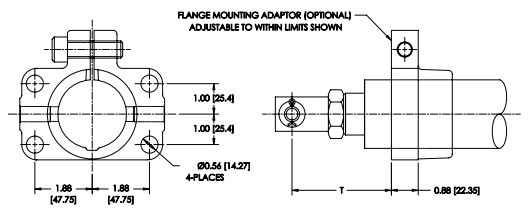
REVISIONS			
REV.	DESCRIPTION	ECN#	DATE
-	INITIAL RELEASE		02/13/07

MOTOR DATA

VOLTAGE	FULL LOAD CURRENT (AMPS)	LOCKED ROTOR CURRENT (AMPS)
120 VAC, 60 HZ 1-PHASE	2.4	4.3
230 VAC, 60 HZ 3-PHASE	0.51	1.75
460 VAC, 60 HZ 3-PHASE	0.25	0.87
575 VAC, 60 HZ 3-PHASE	0.2	0.7

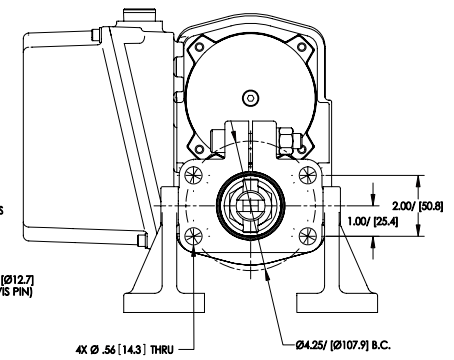
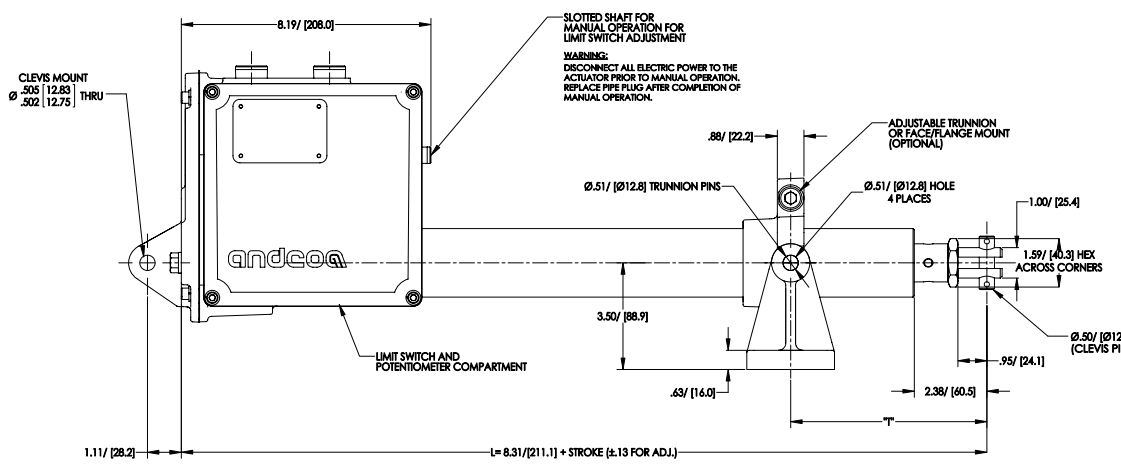
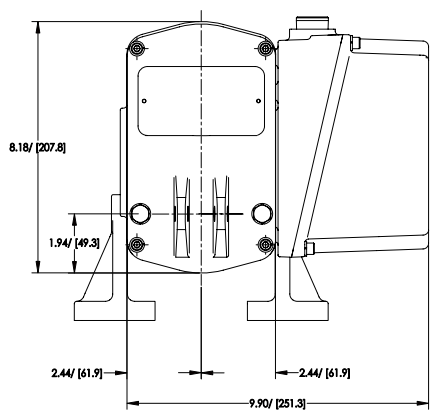
STROKE LENGTHS

STROKE	T
6	2.38 - 2.88
12	2.38 - 8.00
18	2.38 - 14.00
24	5.38 - 20.00
30	11.38 - 26.00
36	17.38 - 32.00



NOTES:

1. UNBRACKETED DIMENSIONS ARE IN INCHES.
2. BRACKETED DIMENSIONS [] ARE IN MILLIMETERS.
3. DIMENSIONS MARKED WITH AN ASTERISK (*) ARE SHOWN WITH ACTUATOR FULLY RETRACTED.



ADJUSTABLE FACE/FLANGE MOUNT (OPTIONAL)
(VIEWED FACING DRIVE ROD END OF ACTUATOR)

MATERIAL:	UNLESS OTHERWISE SPECIFIED: S1 = S100 BRACKET - S135 S2 = S100 ANGLE - S135 S3 = S100 MANIF. TUBING - S135 DIMENSIONS ARE IN INCHES CONVERSION TO MILLIMETERS: * = INCHES TO MILLIMETERS: * =	DRESSER	DATE: 02/13/07
WEIGHT: 28.30 LBS	REMOVE BURRS AND BREAK EDGES, .015 MAX.	TITLE: ANDCO EAGLE OUTLINE DRAWING	DRAWN BY: VLV 02/13/07
THIRD ANGLE PROJECTION	CHKD BY: EKH 02/13/07	SHEET: 1 of 1	DATE: 02/13/07
INTERPRET DRAWING PER ANSI Y14.5	APPVD BY: REF 02/13/07	DRAWING NAME: 120010064	REV: PRE