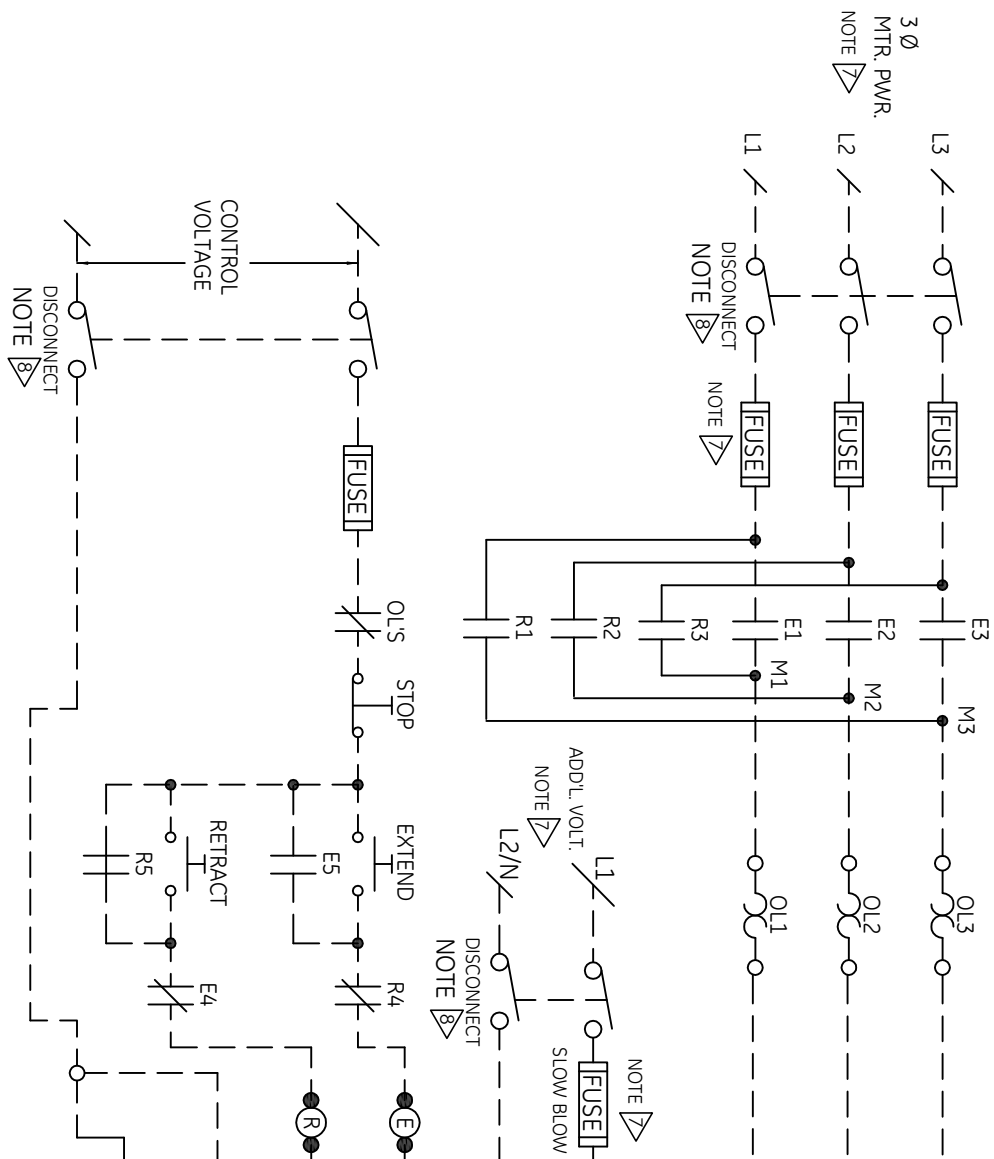
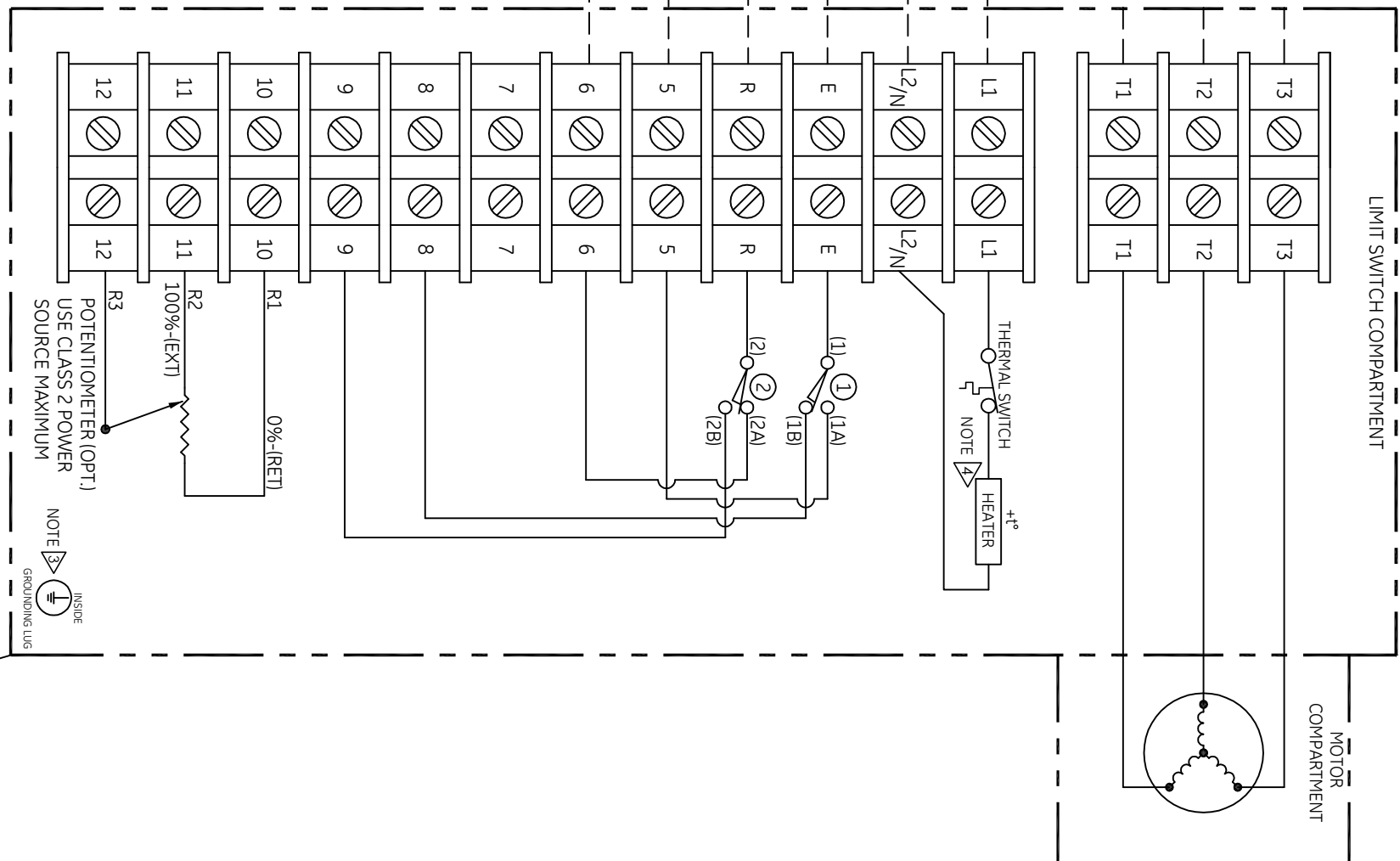


FIELD WIRING  
SUGGESTED SCHEMATIC



ACTUATOR WIRING



SWITCH NO.	CONTACT	ACTUATOR POSITION			FUNCTION
		FULL RETRACT	INTERMEDIATE POSITION	FULL EXTEND	
①	A	—	—	—	FULL EXTEND POSITIO
	B	—	—	—	FULL RETRACT POSITIO
②	A	—	—	—	FULL EXTEND POSITIO
	B	—	—	—	FULL RETRACT POSITIO

SWITCH POSITION SHOWN WITH ACTUATOR IN FULLY EXTEND POSITION  
 ■ CLOSED SWITCH CONTACT  
 - - - - - OPEN SWITCH CONTACT

NOTES:

- LIMIT SWITCH DATA:  
QUICK CONNECT TERMINALS MICROSWITCH V3L-3005-D8 OR EQUIVALENT.  
RATING: 15 AMP AND 1/2 HP, 125 OR 250 VAC, 1/2 AMP, 125 VDC, 1/4 AMP, 250 VDC, 5 AMP, 120 VAC "L" (LAMP LOAD).
- OPTIONAL(OPT.) COMPONENTS SHOWN ARE HEATER, AND POTENTIOMETER.
- WARNING: PROTECTIVE EARTH GROUNDING. GROUNDING LUG MUST BE WIRED TO SUITABLE GROUNDING SYSTEMS WITH MIN. #10 AWG WIRE.
- IF OPTIONAL HEATER IS INSTALLED, IT MUST BE WIRED TO CONTINUOUS POWER.
- IMPORT/EXPORT HARMONIZATION CODE HARDCOPY, 49060000000
- HI-POT TEST:  
PERFORM HI-POT TEST PER UL61010 F.3. (REFER TO IOM.)  
TEST AT TERMINALS T1, T2, & T3 PER MOTOR VOLTAGE.  
TEST PER 250VAC AT TERMINAL BLOCK LOCATIONS L1, L2/N, E, R, and 5 THROUGH 9. DO NOT PERFORM HI-POT TEST ON TERMINAL BLOCK LOCATIONS 10, 11 AND 12.
- REFER TO UNIT NAME PLATE.
- DISCONNECT SWITCH: (NOT SUPPLIED WITH ACTUATORS) MUST BE SUITABLY LOCATED, EASILY REACHED AND MARKED AS THE DISCONNECTED DEVICE FOR THE EQUIPMENT.

LEGEND

- ①③ - EXTEND POSITION LIMIT SWITCH
- ②④ - RETRACT POSITION LIMIT SWITCH
- - WIRING CONNECTION
- - SWITCH CONTACT
- - - - - CUSTOMER WIRING

REV.	DATE	ECN#	BY
-	24APR2015	65695	RC
<b>REVISION TABLE</b>			

DESCRIPTION: **WIRING DIAGRAM, 3 PHASE, ON/OFF- EAGLE EXTERNAL REVERSING CONTACTOR, 21 LS, OPT: HTR/POT**

FILENAME: **141220952**

DRAWN BY: **ET** APPVD BY: **REF** DATE: **21APR15** SHEET: **1 of 1** SIZE: **B**

GE **PROPERTY AND CONFIDENTIAL**

INTERRUPT DRAWING PER ASME Y14.5 THIRD ANGLE PROJECTIC