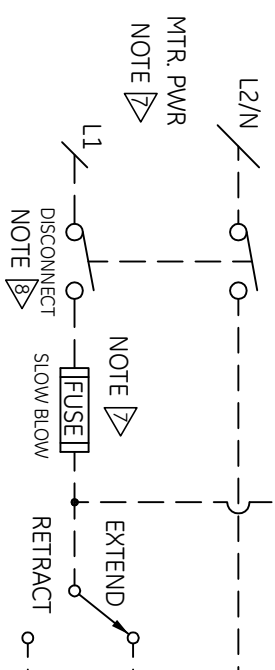
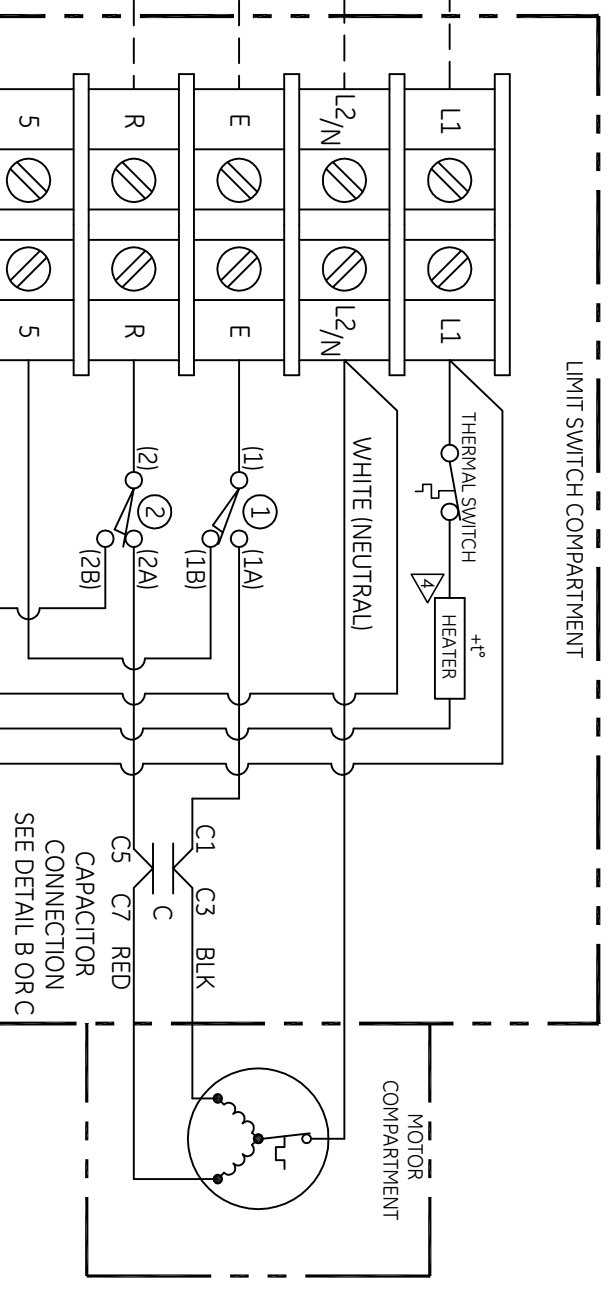


FIELD WIRING
SUGGESTED SCHEMATIC

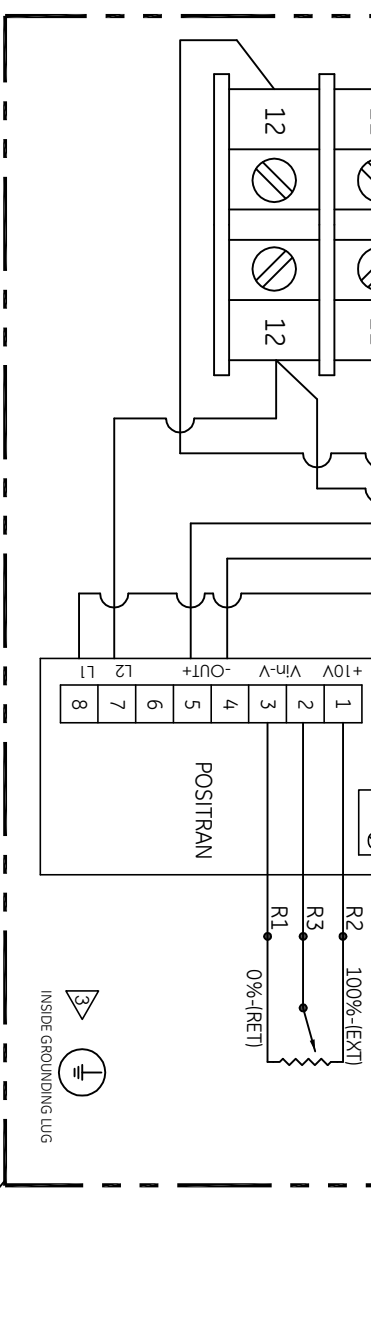


ACTUATOR WIRING
LIMIT SWITCH COMPARTMENT



OPTIONAL
DRY CONTACTS
(SEE DETAIL A)

D.C. OUTPUT (-)
POSITION
SIGNAL (+)



SWITCH NO.	CONTACT	ACTUATOR POSITION			FUNCTION
		FULL RETRACT	INTERMEDIATE POSITION	FULL EXTEND	
1	A	—	—	—	FULL EXTEND POSITIO
	B	—	—	—	FULL RETRACT POSITIO
2	A	—	—	—	AUX (OPTIONAL)
	B	—	—	—	AUX (OPTIONAL)
3	A	—	—	—	AUX (OPTIONAL)
	B	—	—	—	AUX (OPTIONAL)
4	A	—	—	—	AUX (OPTIONAL)
	B	—	—	—	AUX (OPTIONAL)

SWITCH POSITION SHOWN WITH ACTUATOR IN FULLY EXTEND POSITION

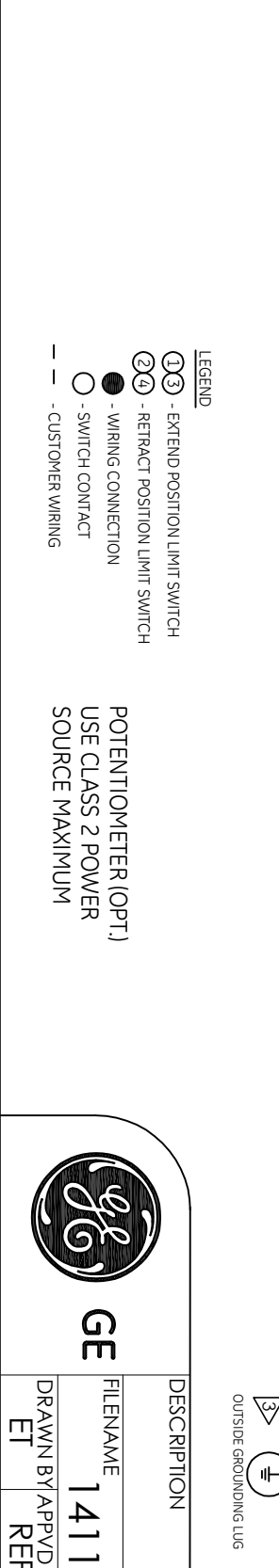
— CLOSED SWITCH CONTACT

--- OPEN SWITCH CONTACT

NOTES:

- LIMIT SWITCH DATA: QUICK CONNECT TERMINALS MICROSWITCH V3L-3005-D8 OR EQUIVALENT. RATING: 15 AMP AND 1/2 HP, 125 OR 250 VAC, 1/2 AMP, 125 VDC, 1/4 AMP, 250 VDC; 5 AMP, 120 VAC "L" (LAMP LOAD).
- OPTIONAL(OPT.) COMPONENTS SHOWN ARE SERIES WIRE RESISTOR AND AUX DRY CONTACTS.
- WARNING: PROTECTIVE EARTH GROUNDING, GROUNDING LUG MUST BE WIRED TO SUITABLE GROUNDING SYSTEMS WITH MIN. #10 AWG WIRE.
- HEATER MUST BE WIRED TO CONTINUOUS POWER.
- IMPORT/EXPORT HARMONIZATION CODE HARDCOPY, 4906000000
- HI-POT TEST: PERFORM HI-POT TEST PER UL61010 F.3. (REFER TO IOM.) DISCONNECT L1 & L2 FROM TERMINALS 7 & 8 OF THE POSITRAN CARD. ISOLATE THE ENDS. TEST PER 120VAC AT SWITCH CONTACTS 1A & 2A AND TERMINAL BLOCK LOCATIONS L1, L2/N, E, R, 5, & 6. TEST PER 240VAC AT TERMINAL BLOCK LOCATIONS 7 THROUGH 9. DO NOT PERFORM HI-POT TEST ON TERMINAL BLOCK LOCATIONS 10 & 11. OR ON POSITRAN CIRCUITS. RECONNECT L1 TO TERMINAL 8 AND L2 TO TERMINAL 7 OF POSITRAN CARD.
- MOTOR POWER: REFER TO UNIT NAME PLATE.
- DISCONNECT SWITCH: (NOT SUPPLIED WITH ACTUATORS) MUST BE SUITABLY LOCATED, EASILY REACHED AND MARKED AS THE DISCONNECTED DEVICE FOR THE EQUIPMENT.

REV.	DATE	ECN#	BY
-	24APR2015	65695	RC
REVISION TABLE			



DESCRIPTION: WIRE DIAGRAM, 1 PHASE, PTRAN - EAGLE
HTR, POT, OPT: SW/RAUX DRY CONTACTS

FILENAME: 141120302
DRAWN BY: AP/PVD BY: DATE: 15APR15 SHEET: 1 of 1

GE
PROPERTY AND CONFIDENTIAL
The information contained in this drawing is the sole property of Dresser Inc., and may not be used, reproduced, published or disclosed to others without express authorization thereof. It shall be returned to the owner upon demand.

INTERRUPT DRAWING PER ASME Y14.5 THIRD ANGLE PROJECTIC